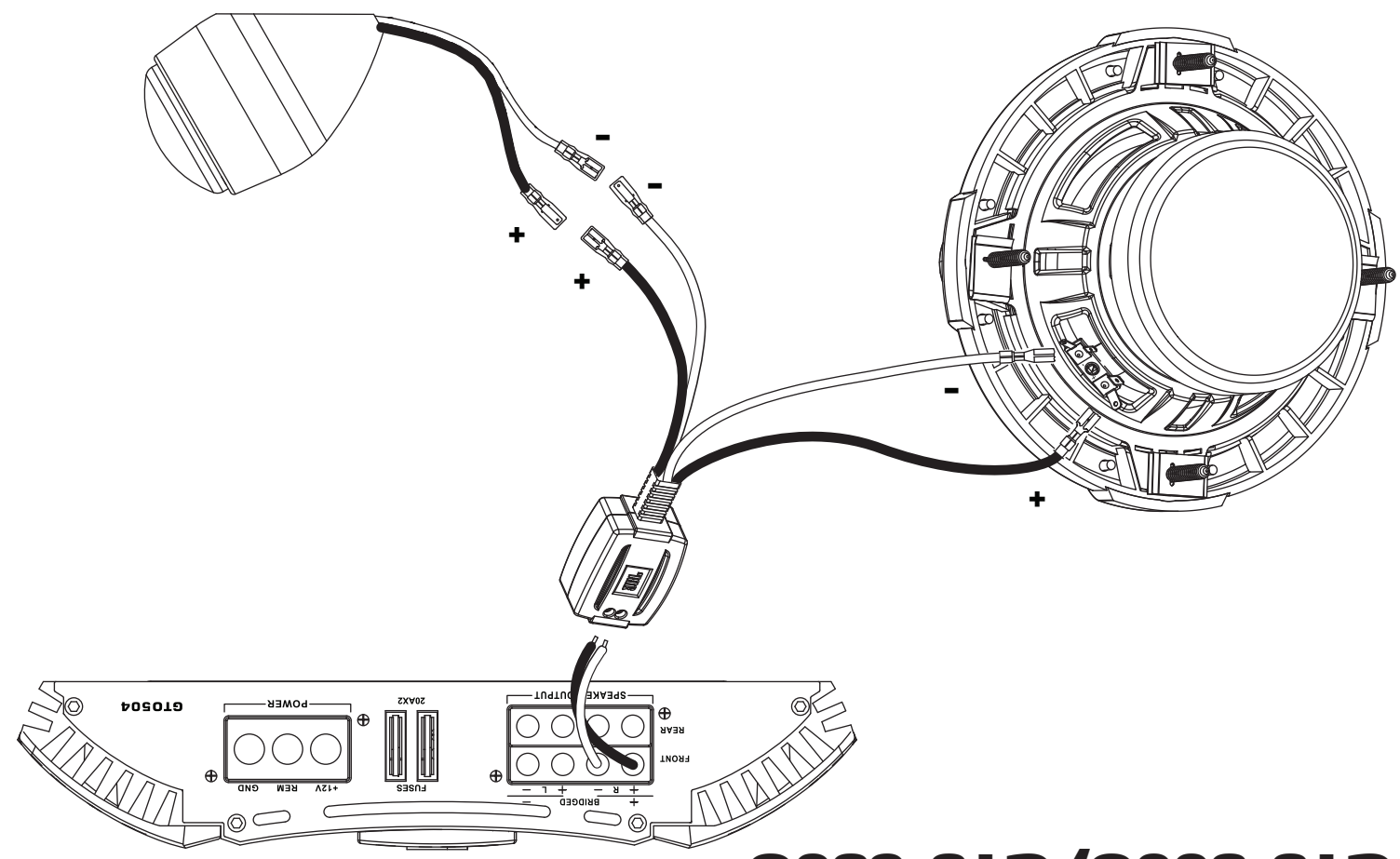
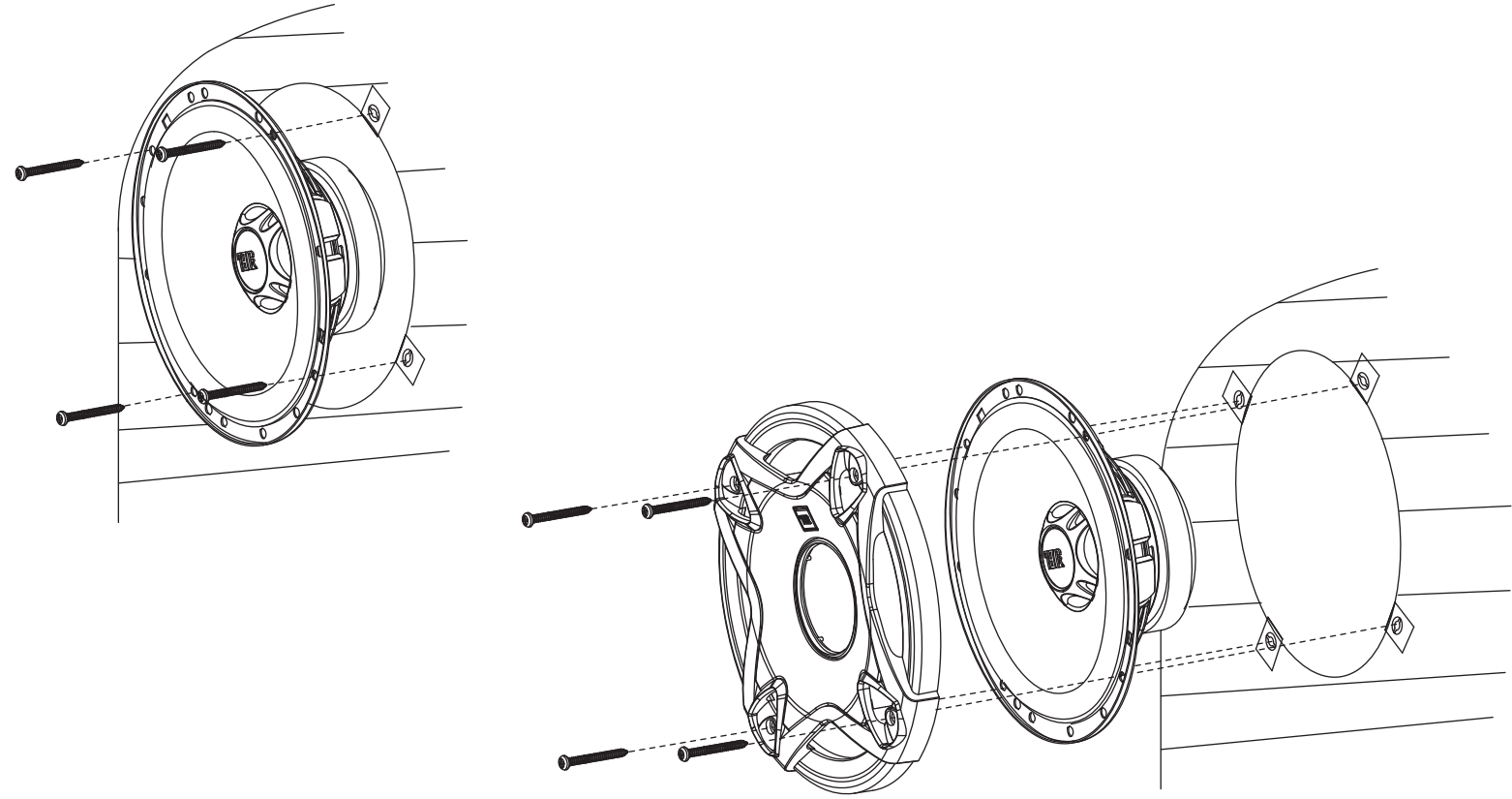
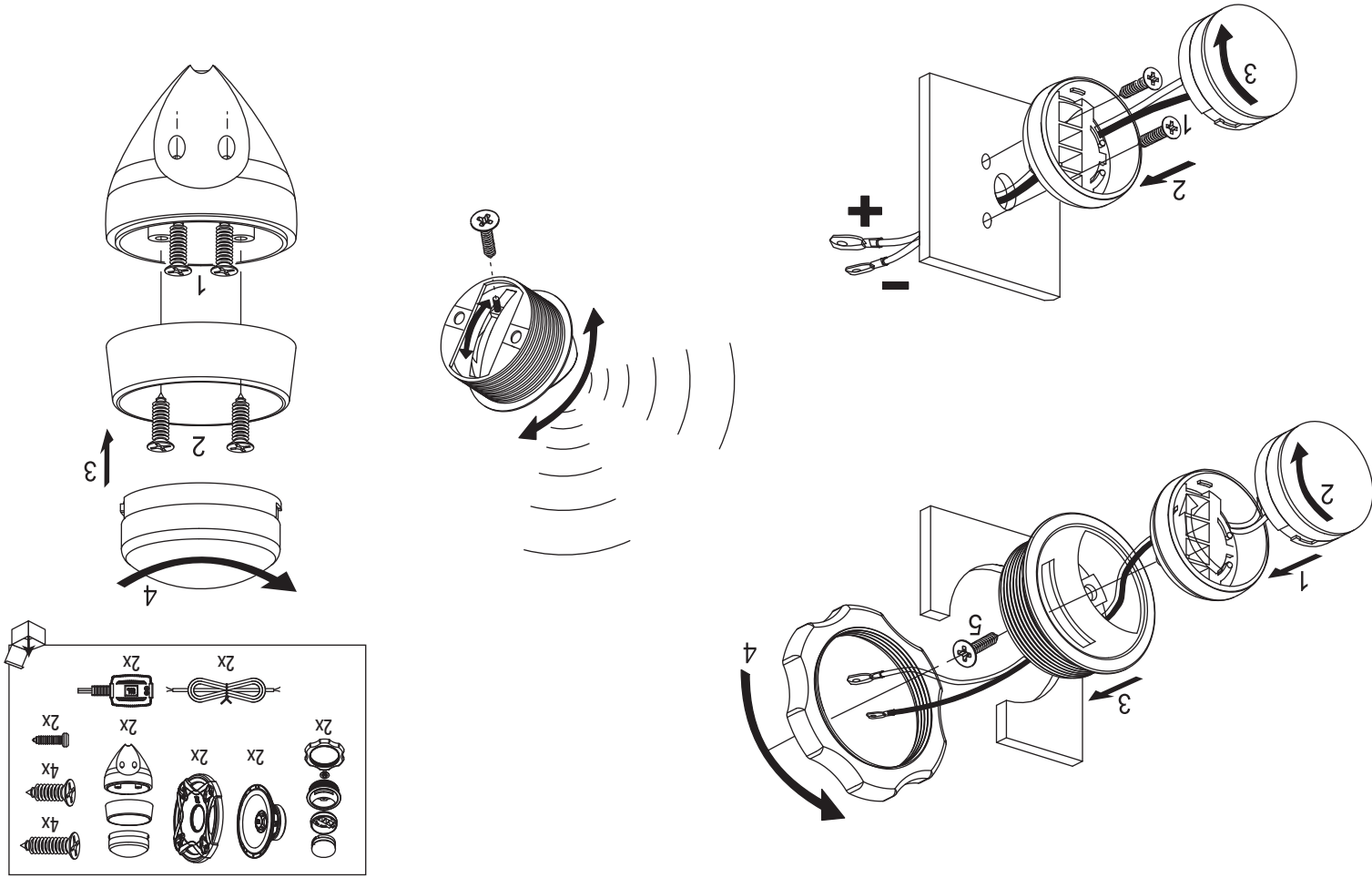


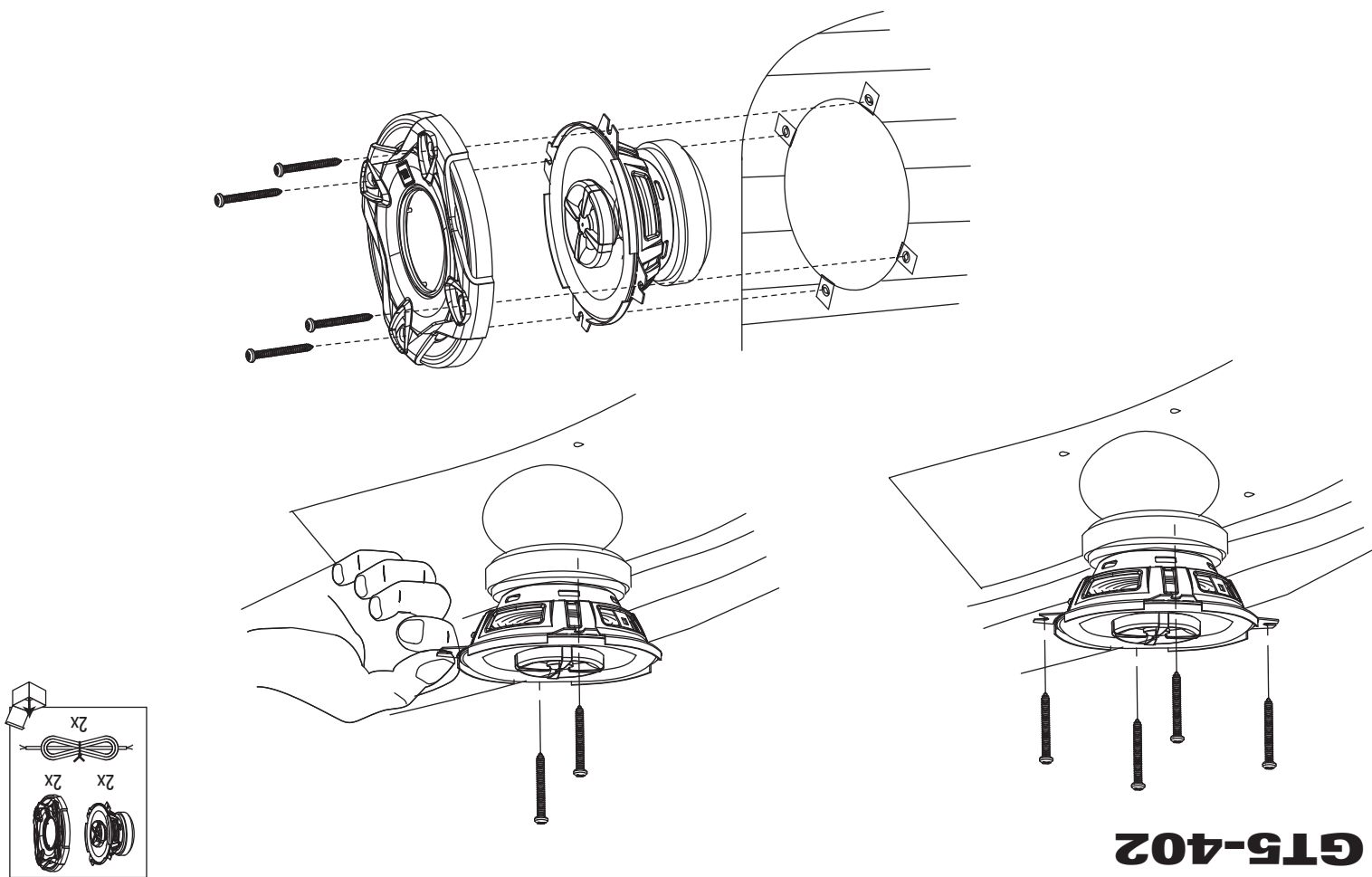
**GT5-402, GT5-502, GT5-652, GT5-803,
GT5-963, GT5-500C, GT5-650C**



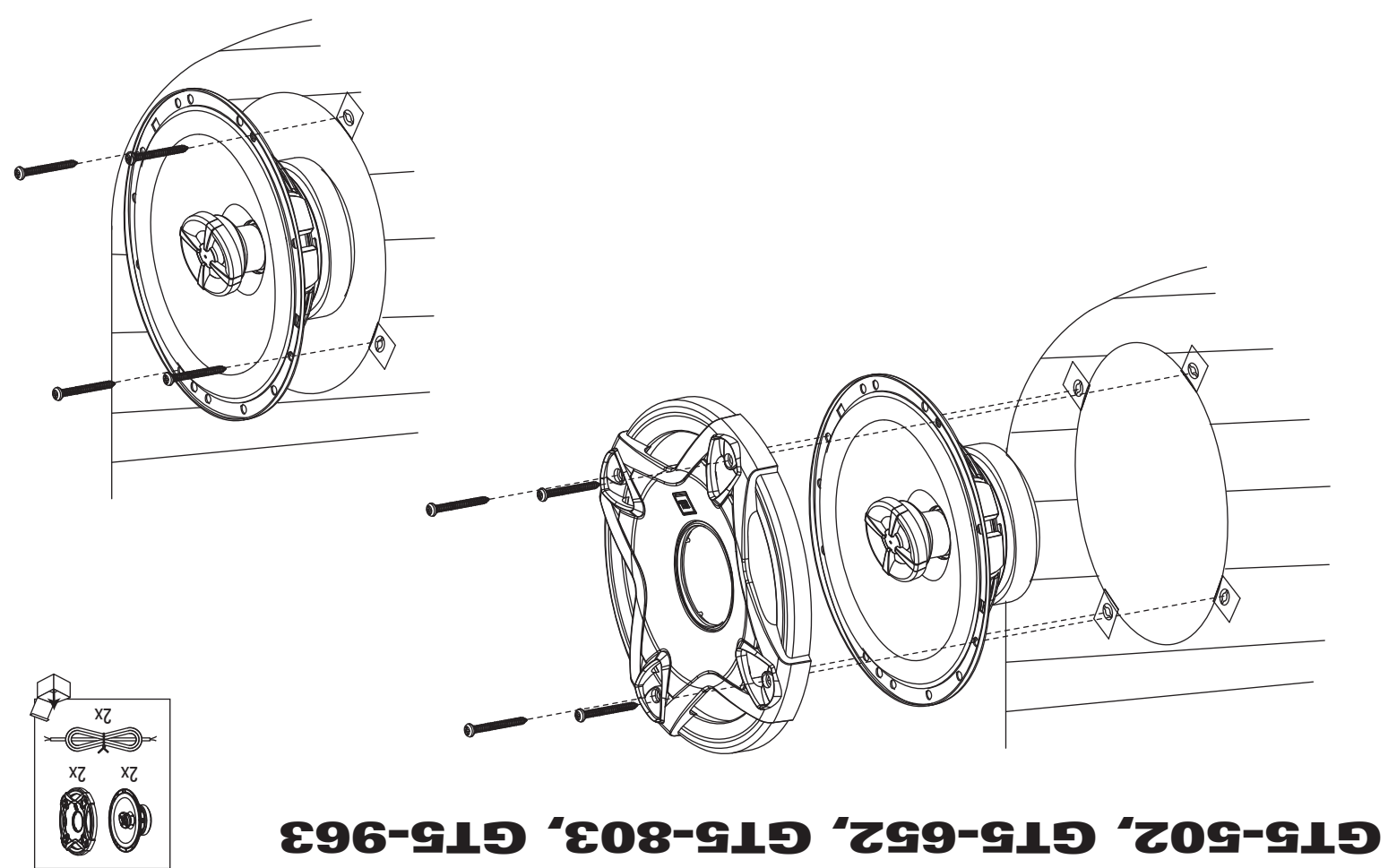
GT5-500C, GT5-650C



GT5-500C, GT5-650C



GT5-402



GT5-502, GT5-652, GT5-803, GT5-963

A valid serial number is required for warranty coverage.
Features, specifications and appearance are subject to change without notice.
These products are designed for mobile applications and are not intended for connection to the mains.
Harman Consumer Group, Inc., 8500 Balboa Blvd., Northridge, CA 91329 USA • www.jbl.com
© 2009 Harman International Industries, Incorporated. All rights reserved. Part No. GT5MED07/09
JBL is a trademark of Harman International Industries, Incorporated, registered in the United States and/or other countries. GT Series is a trademark of Harman International Industries, Incorporated.
H Harman International

Declaration of Conformity
CE
We, Harman Consumer Group, Inc.
2, route de Tours
72500 Châteauneuf du Loir
France
declare in own responsibility that the products described in this owner's manual are in compliance with technical standards:
EN 61000-6-3:2001
EN 61000-6-1:2001
Klaus Leberitz
Harman Consumer Group, Inc.
Châteauneuf du Loir, France 4/09

JBL

www.jbl.com

GT™ SERIES

**GT5-402
GT5-502
GT5-652
GT5-803
GT5-963
GT5-500C
GT5-650C**

car audio multielement
owner's manual



JBL

Designed and Engineered
in the USA

